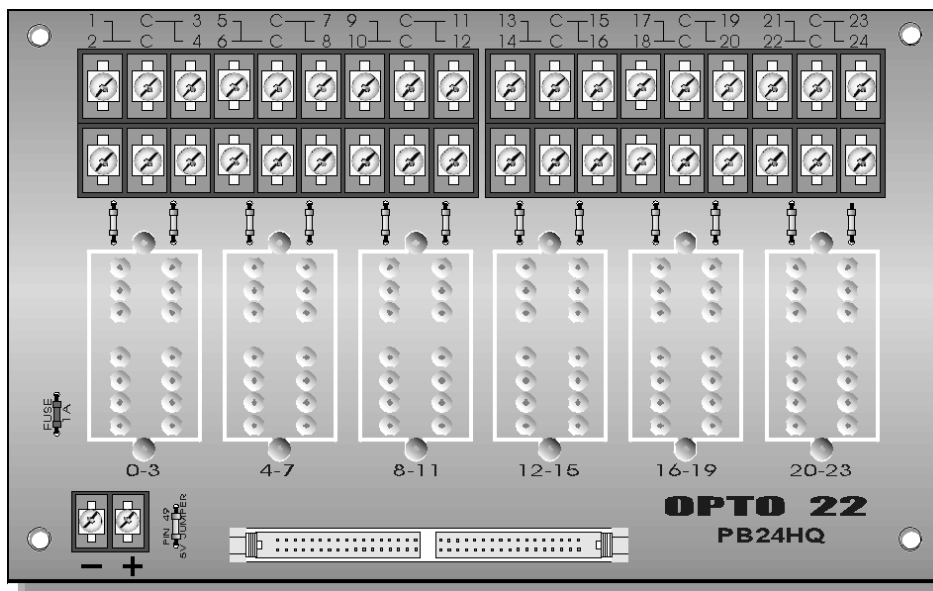


Form 527-010122

| Part Number | Description |
|-------------|---|
| PB24HQ | Quad 6-Module Position Rack With Header Connector |

Description

The PB24HQ I/O mounting rack can accommodate up to six Quad Pak I/O modules for a total of 24 I/O channels. The PB24HQ I/O mounting rack uses a 50-pin male header connector for connection to computer parallel I/O ports via a 50-conductor ribbon cable. Any combination of Quad Pak input and output modules can be used with the PB24HQ.



OPTO 22

DATA SHEET

Form 527-010122

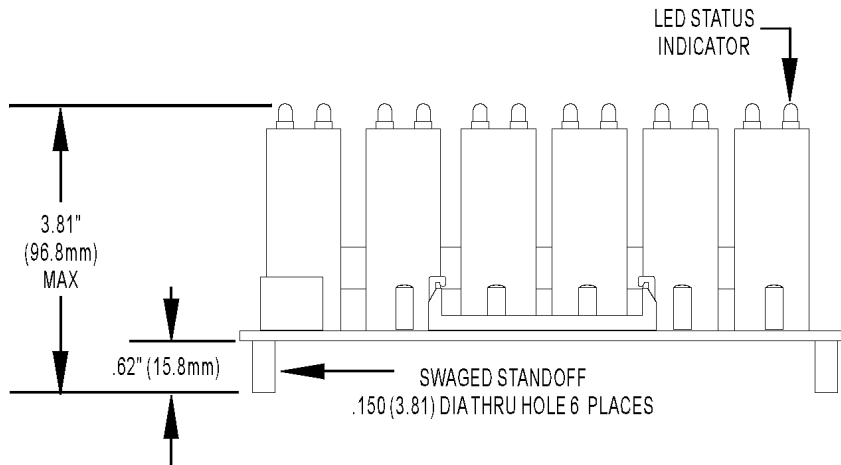
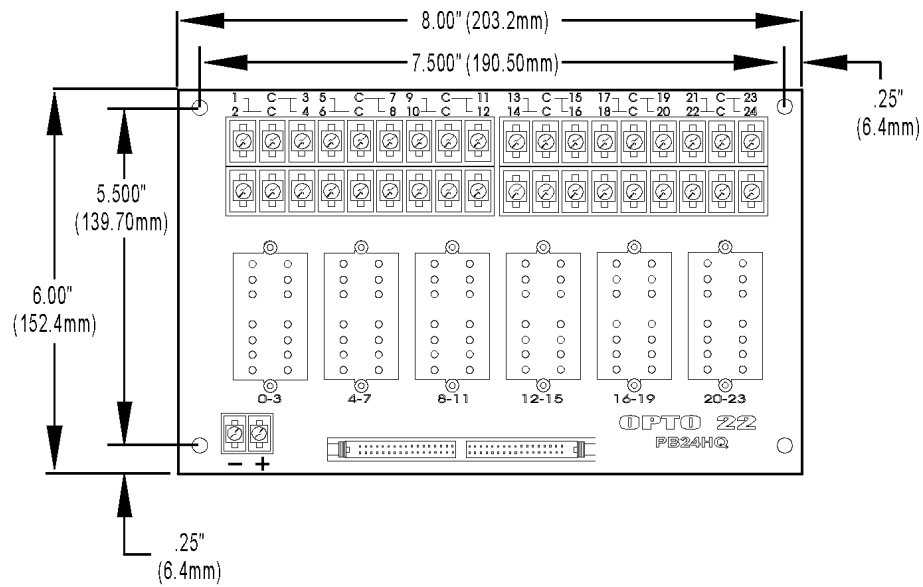
RACKS
QUAD
DIGITAL

page 2/4

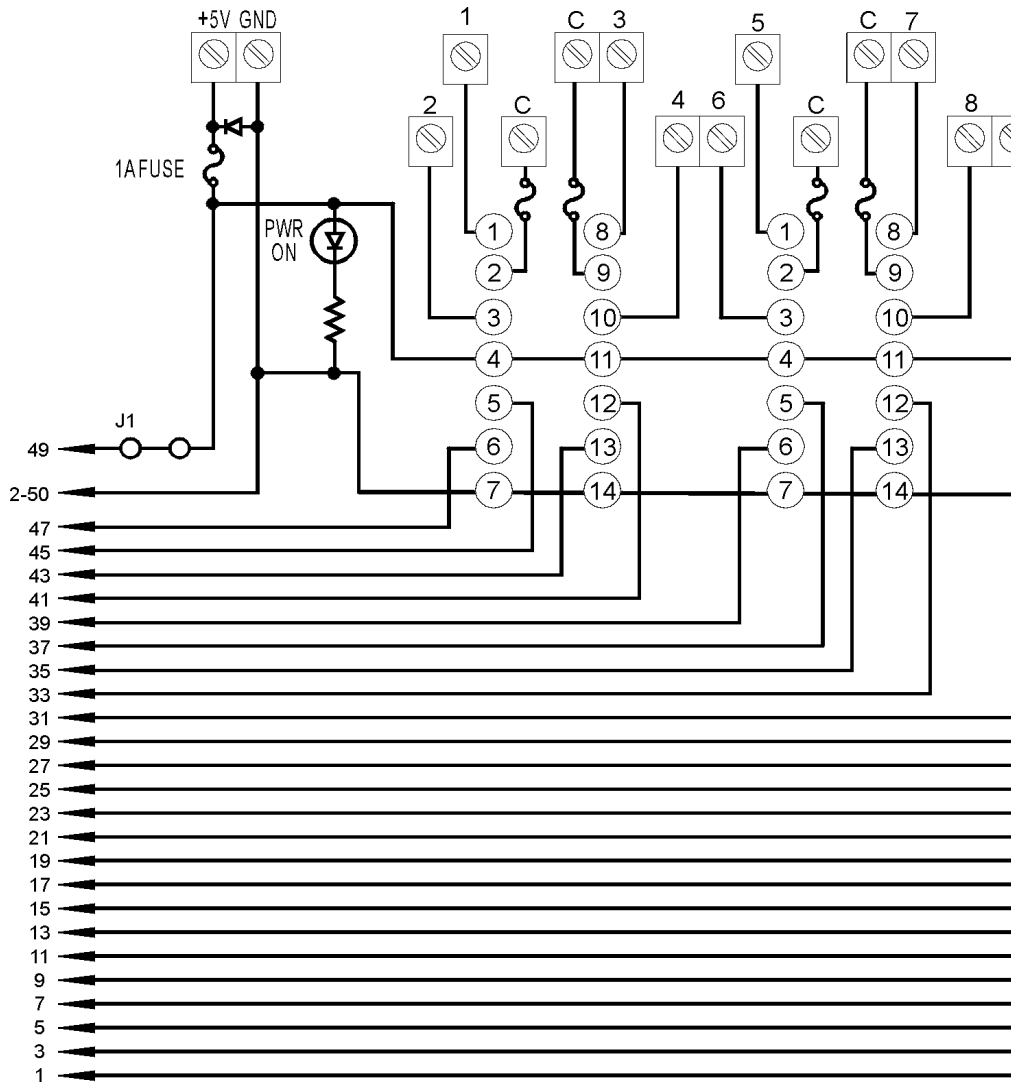
Specifications

| | |
|---------------------------------------|---|
| Operating Temperature | 0° to 70° C 95% Relative Humidity Non-Condensing |
| Interface Connector Field Logic | 6-32 Screw Terminals 50-Pin Male Header Connector |

Dimensions



Schematics



| Module Position | Control (Header Connector) | Field (Terminal Strip) |
|-----------------|----------------------------|------------------------|
| 0 | 47 | 1 & C |
| 1 | 45 | 2 & C |
| 2 | 43 | 3 & C |
| 3 | 41 | 4 & C |
| 4 | 39 | 5v |
| 5 | 37 | 6 & C |
| 6 | 35 | 7 & C |
| 7 | 33 | 8 & C |
| 8 | 31 | 9 & C |
| 9 | 29 | 10 & C |
| 10 | 27 | 11 & C |
| 11 | 25 | 12 & C |
| 12 | 23 | 13 & C |
| 13 | 21 | 14 & C |
| 14 | 19 | 15 & C |
| 15 | 17 | 16 & C |
| 16 | 15 | 17 & C |
| 17 | 13 | 18 & C |
| 18 | 11 | 19 & C |
| 19 | 9 | 20 & C |
| 20 | 7 | 21 & C |
| 21 | 5 | 22 & C |
| 22 | 3 | 23 & C |
| 23 | 1 | 24 & C |